



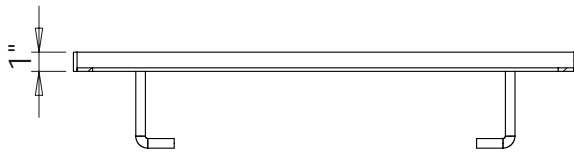
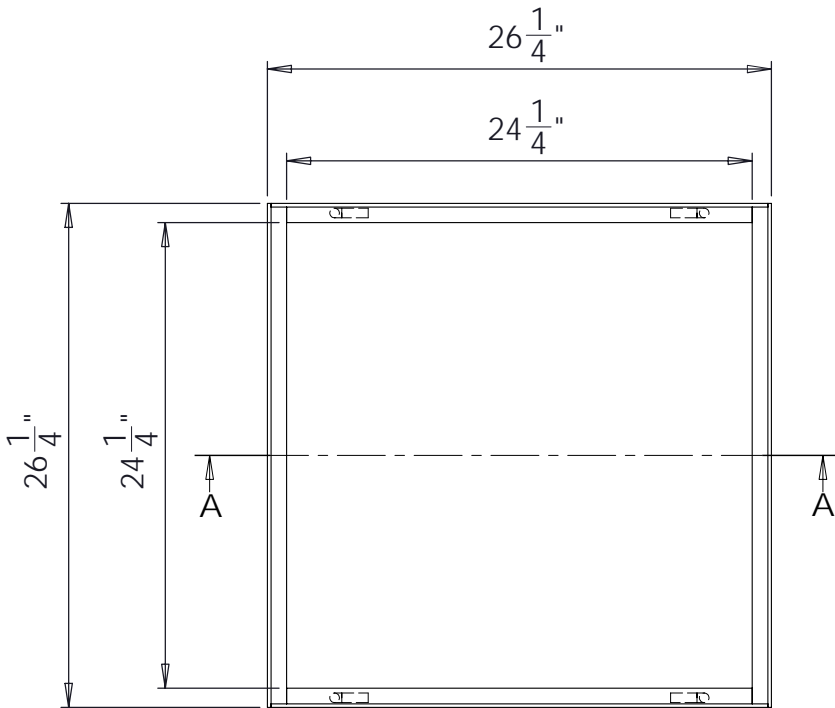
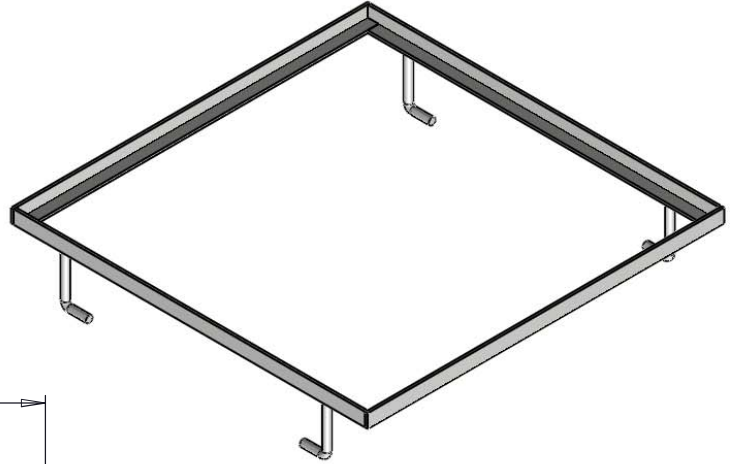
# South Bay Foundry

WWW.SOUTHBAYFOUNDRY.COM

PHONE: (619) 956-2780 FAX: (619) 956-2788

## E1230G

### 24x24 NT FRAME



SECTION A-A

#### GENERAL INFORMATION

- \*MATERIAL: STEEL ASTM A36
- \*FINISH: HOT DIP GALVANIZED ASTM A123

#### APPROVED

BY:

TITLE:

AGENCY:

DATE:

4/12/2012